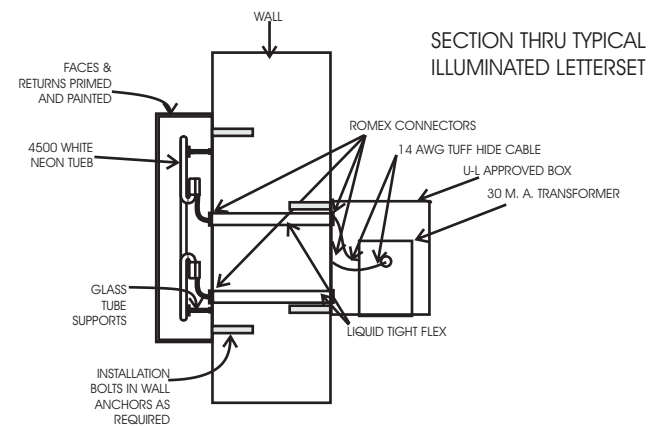




## PROJECT INCLUDES

1. Build and install pan channel sign on sign band.
2. Five (5) letters 24" tall with 5" returns, 16' wide. Red faces and bronze returns. Also one(1) logo below sign 2' x 4'.
3. Internal lighting of letters red neon. Transformer and clock.
4. Internal lighting of logo white LED
5. Sign will be hooked to circuit behind sign band.



**Sweat Challenge**  
**42101 N. 41st Dr.**  
**Anthem, AZ**

**Link II Communications**  
**Phoenix, AZ**  
**602-348-6182**